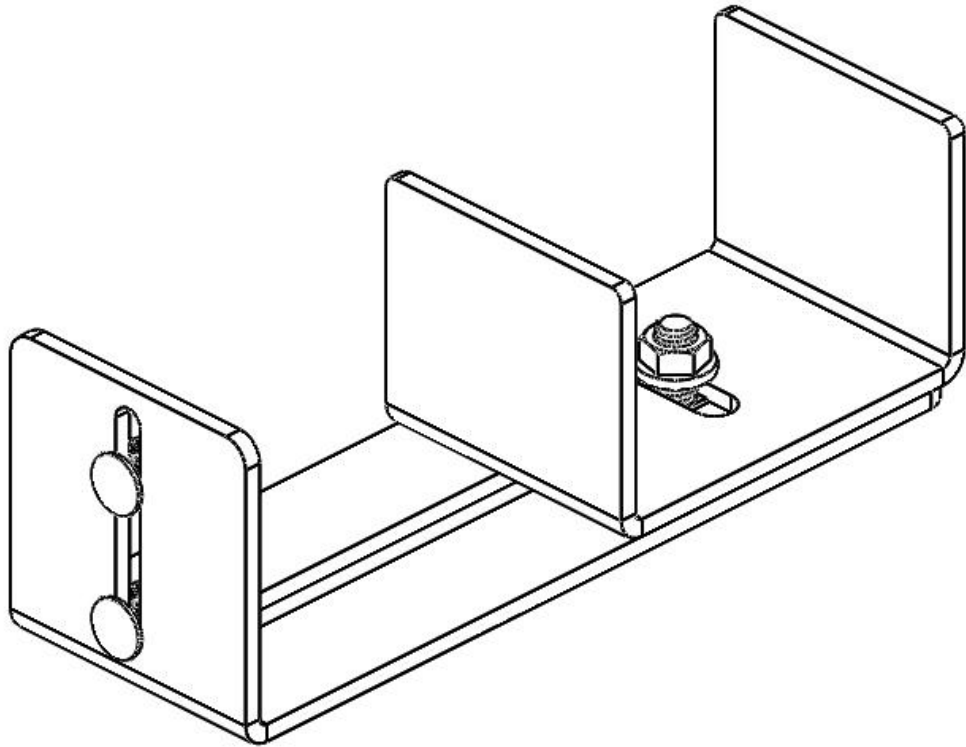



Product Code SMC-RW-MB	Nominal Dimensions N/A	
Description The Secure Medium Carrier (SMC) Mounting Bracket (MB) attaches the raceway system under raised floors to existing cable tray, solid floor, or other mechanical structure. The U-Bracket provides a rigid base for the SMC Raceway, and has a shared carriage bolt for the L-Bracket and Raceway. The U-Bracket can be positioned along the L-Bracket slot prior to tightening the shared hex nut, which provides simplified, labor saving installation.		
Specifications <ul style="list-style-type: none"> • 7-gauge electro-galvanized steel • Weight 3 lbs • Three (3) manufactured mounting slots allowing for horizontal and vertical adjustment • One (1) Grade 8, 3/8"-16, Threaded, 9/16" Wide Zinc-Plated Steel Flange Hex Nut • One (1) Grade 5, 3/8"-16, Threaded, 1" Long Zinc-Plated Steel Square Neck Carriage Bolt • Two (2) Grade 5, 1/4"-20 Threaded, 3/4" Long Zinc-Plated Steel Square Neck Carriage Bolts • Two (2) 1/4"-20 Threaded, 7/16" Wide, Zinc-Plated Steel Serrated-Flange Hex Locknuts • Packaged individually • Not powder coated 		

	Holocom, Inc. www.holocom.com	PRODUCT CODE: SMC-RW-MB	TITLE: SECURE MEDIUM CARRIER MOUNTING BRACKET
All material contained in this document is the property of Holocom, Inc. and may not be reproduced or transmitted (including electronically) without the written consent of Holocom, Inc. Holocom and the Holocom logo are registered trademarks of Holocom, Inc. Other noted marks are trademarks of their respective companies. Holocom products protected by US Pats. 8,733,798; 7,661,375; 7,608,780; 7,183,488; 7,115,814; 7,053,303; 7,049,517; 6,838,616; 5,831,211; 632,763; 619,097; 580,871 and patents pending. Made in the U.S.A. Copyright © 2015 Holocom, Inc. All rights reserved.			